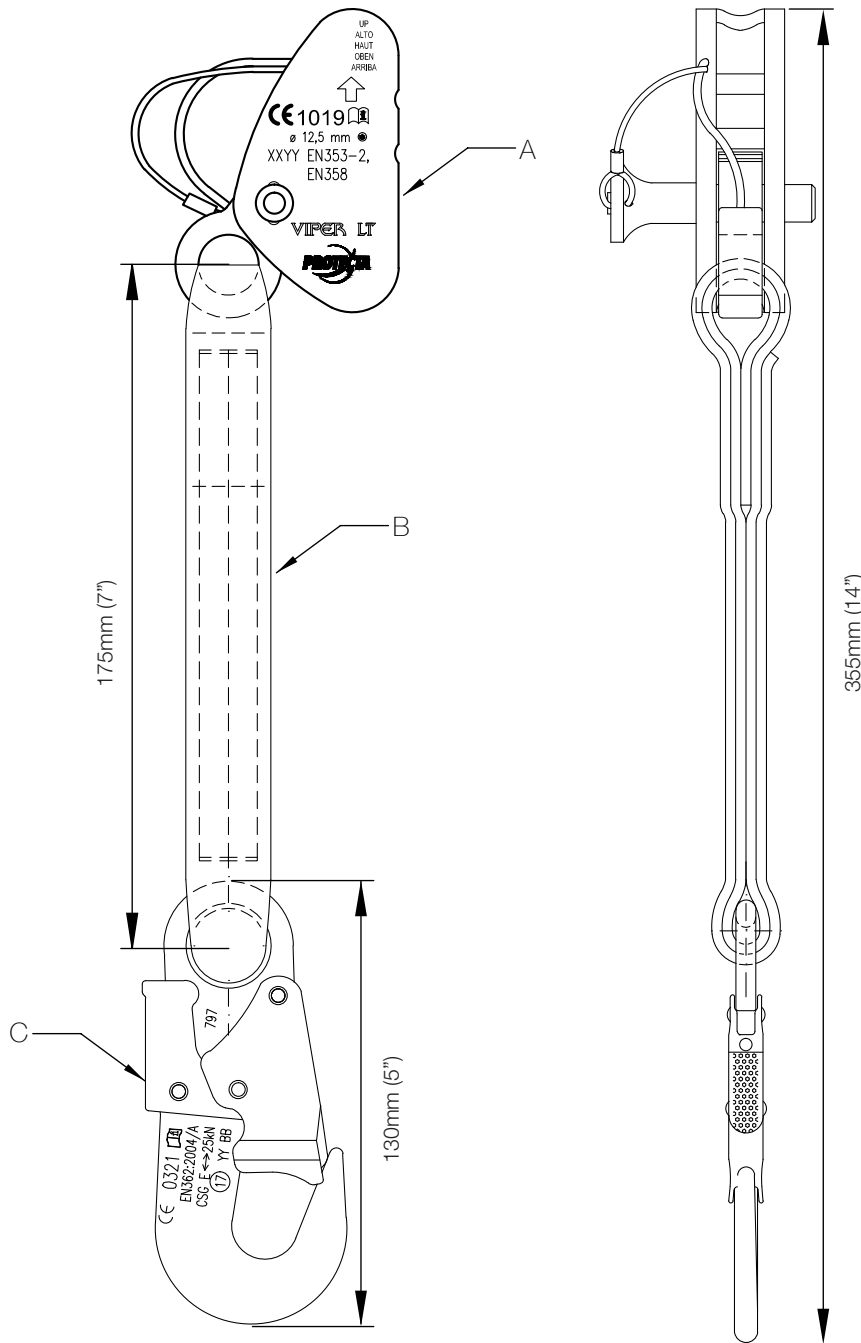


# Technical Datasheet No: 1293

## Viper LT Rope Grab with Extension Strap and Snap Hook

Part No: AC4001



<b>A</b>	Rope Grab
<b>B</b>	Extension Strap
<b>C</b>	Snap Hook

### Application

Used in conjunction with AC40XX 12.5mm kernmantle rope intended for use as a fall arrest or restraint system with webbing strap.  
For a more detailed application refer to the Instructions For Use.  
100kg MAX user weight.

### Component Specification

	A	B	C
<b>Material</b>	Aluminium	Nylon Webbing	Steel
<b>Finish</b>	Anodized	Natural	Zinc Plated
<b>Weight</b>	0.56kg		
<b>Quality</b>	ISO 9001		